



360L6 Serie

Avionic Connector



360L6

... the best connection for On Board communications !

Catalog



◆ Description

The function of this connector is to provide electrical connections between the pilot's headset and the aircraft equipment and also between the technician's headset and the aircraft. The 360L6 serie fits on aircrafts and helicopters, both civil and military, and provide all types of on board connections and external connections.

DASSAULT specification N°975B.



◆ Applications



Radios



Accessories



Intercoms

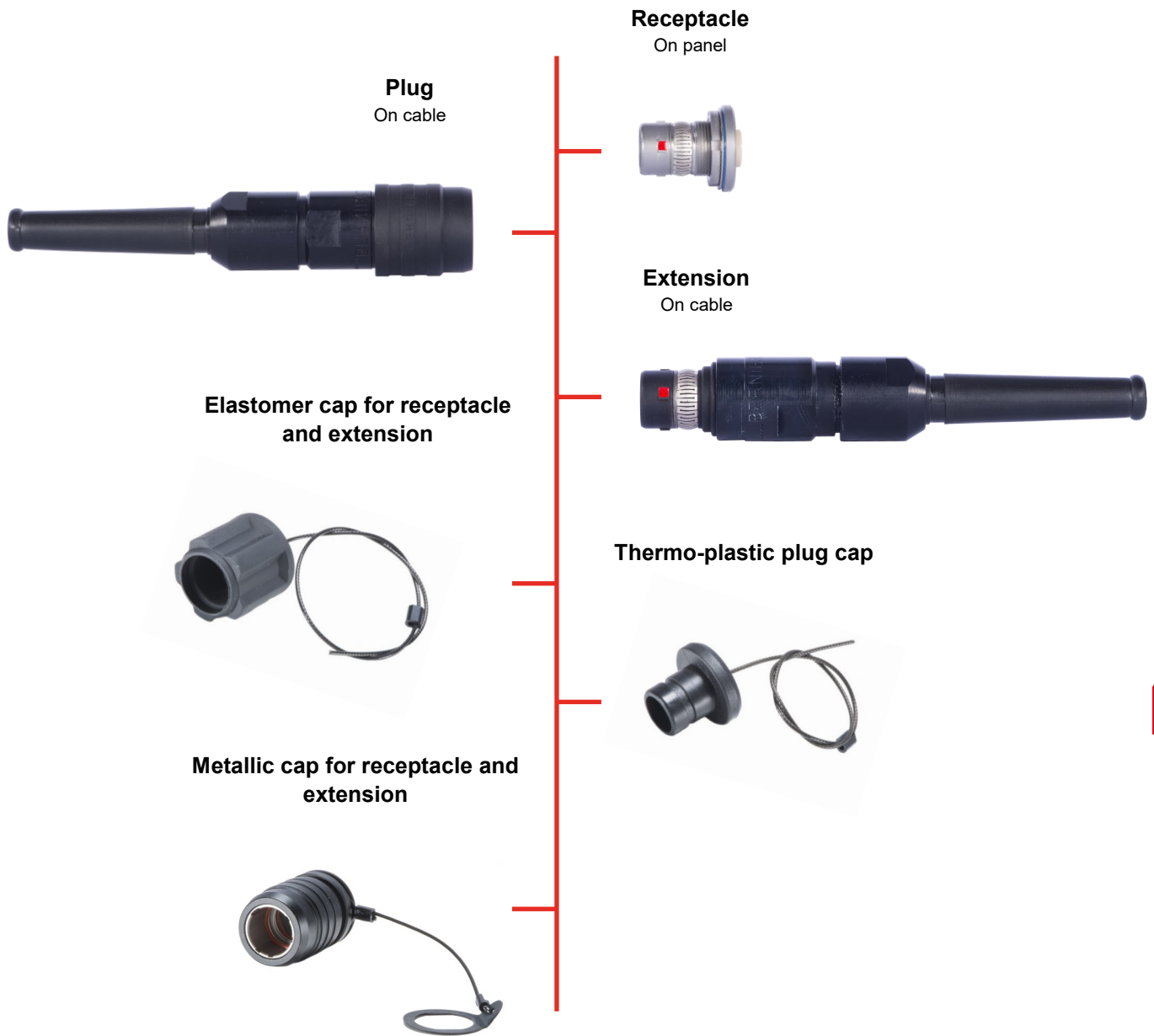
◆ Specific Designs

360L6 connectors are appreciated for their flexibility to fit customer specifications. Our Design team is able to propose versions answering to your needs. Reinforcements can be applied in case of use in harder climatic, ergonomic and electromagnetic conditions. Caps and backshells can also be improved to bring a better ergonomics on your configuration.

360L6 standard receptacles are equipped with a ground ring giving a high EMC level. This function developed by Bernier brings a better continuity between the connectors shells and a protection on 360°



Ground ring 360°



360L6

◆ Climatic and mechanical characteristics

| | 360L6 Serie |
|-----------------------------|--|
| Unlocking system | Push-Pull |
| Operating temperature range | -55°C at +125°C |
| Endurance | 1500 Operations |
| Sealing performance | IP68 (connected) |
| Contact protection | 100% scoop-proof |
| Vibration and shock | Vibration : N=4000, 40g Shock : N=12, 100g. |
| Corrosion resistance | Salt fog : 96 hours (Stainless steel) |
| Fluids resistance | Oils and hydrocarbones |

◆ Electrical characteristics

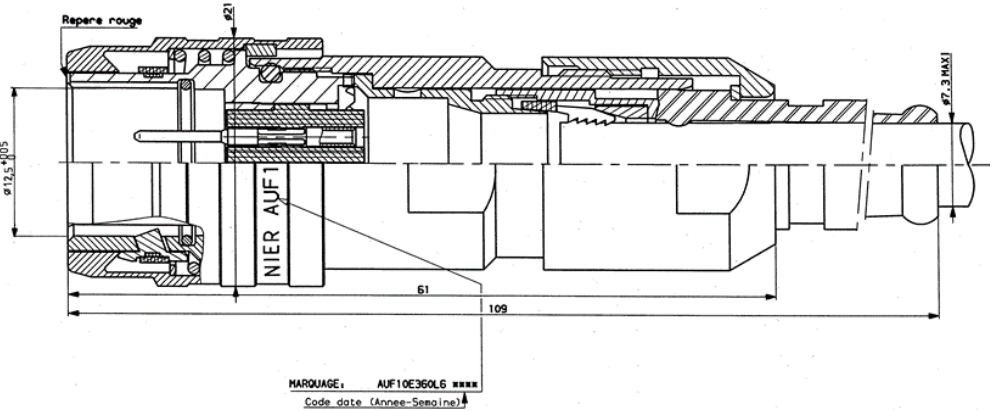
| | 360L6 Serie (10 contacts) |
|-------------------------------|------------------------------|
| Working voltage | 500 V _{eff} at 50Hz |
| Current rating per contact | 8 A _{max} |
| Gauge (AWG) | 20 |
| Contact type | To be crimped |
| Contact resistance | ≤ 10 mOhms at 25°C |
| Insulation resistance | ≥ 5000 MOhms |
| Crosstalk on mated connectors | 60dB from 10 kHz to 100MHz. |

◆ Material and plating

| | Material | Plating |
|-----------------|------------------|------------------------------|
| Connector shell | Stainless steel | Sandblasting Black chrome |
| Insulator | PEEK | - |
| Contacts | Copper alloy | Gold over nickel |
| Backshell shell | Aluminium | Black anodization |
| Ground ring | Beryllium copper | Nickel |

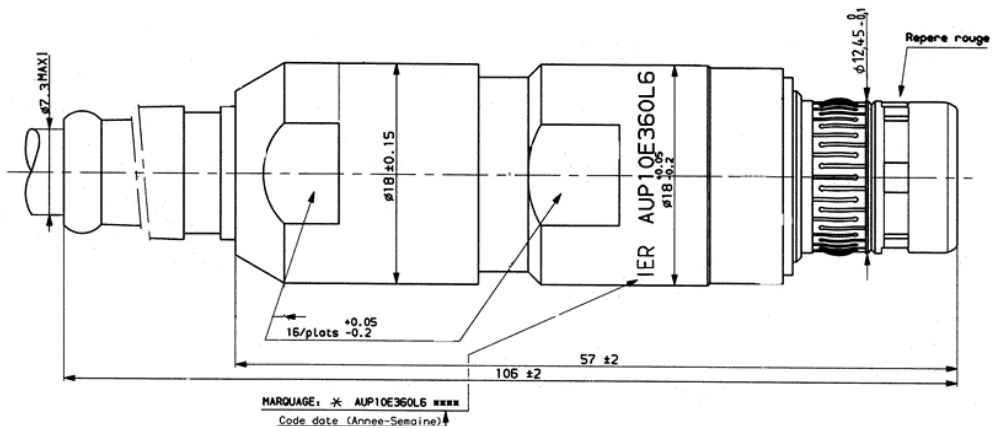


◆ Push-Pull plug with contacts to be crimped



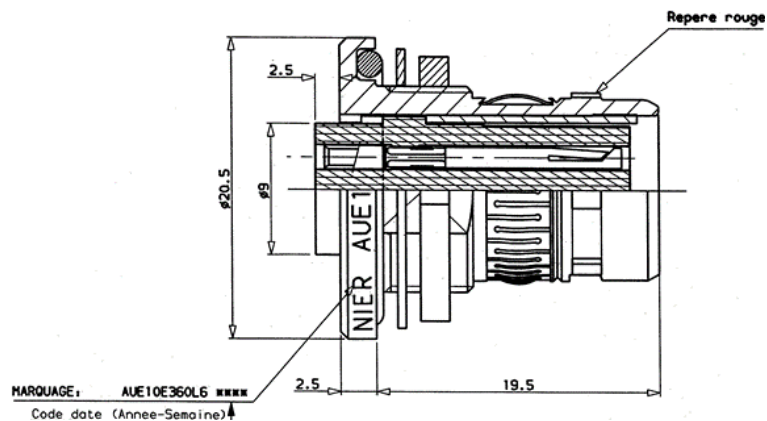
Ex: AUF10E360L6

◆ Extension with contacts to be crimped



Ex: AUP10E360L6

◆ Receptacle with contacts to be crimped



Ex: AUE10E360L6

360L6

All caps from the CMA serie fit to the 360 connectors

◆ Caps for plug



Ex: CMA BA06MC-200ST

| | Thermo-plastic Watertight IP67 | Metallic black Watertight IP68/EMC |
|---------------|-----------------------------------|---------------------------------------|
| Ferule* | CMA BA06MC-200ST | CMA BA65MC-200ST |
| Plastic clamp | CMA BA06MC | - |

* the ferule is delivered separatly in order to fix the right length during cabling.

| Stock cap |
|------------|
| CMA BASFIL |



◆ Caps for receptacle and extension



Ex: CMA BA94MC-200ST



Ex: CMA BA100N 10.14MCEM

| | Elastomer Watertight IP68 | Metallic Watertight IP68/EMC |
|---------------------------------|------------------------------|---------------------------------|
| Ferule* | CMA BA94MC-200ST | CMA BA 100MC-200ST |
| Plastic clamp | CMA BA11MC | - |
| Metallic ring | CMA BA86-35MC | CMA BA100MCEM |
| Crimped eyelet for M3 screw | CMA BA98MC | - |
| 90° Crimped eyelet for M3 screw | CMA BA81MC | - |
| Eyelet for M3 screw | CMA BA91MC | CMA BA100MC |

* the ferule is delivered separatly in order to fix the right length during cabling.

| Stock cap |
|-----------|
| CMA BA20 |



◆ Terminations

Some terminations can accept several lanyards

Plastic clamp



Ferule



Metallic ring



Eyelet for M3 screw



Crimped eyelet for M3 screw



90° crimped eyelet for M3 screw



◆ Accessories

| Type | Part number |
|---|-------------|
| Set of 12 male contact to be crimped dia 0.90 | 11509 |
| Set of 12 female contact to be crimped dia 0.90 | 11510 |



11509



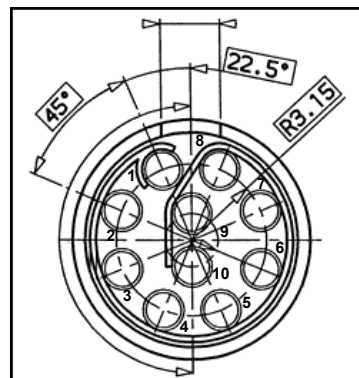
11510

◆ Contact and wire size

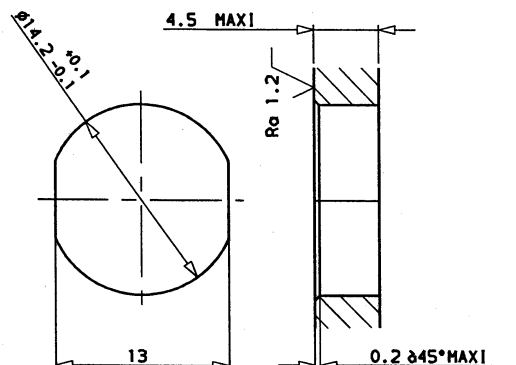
| Contact size (diameter) | I (A) | R (m) | Possible wires cross section in mm ² - AWG Gauge | Possible wires Insulator Diameter Max |
|-------------------------|-------|-------|---|---------------------------------------|
| 0.9 | 5 | 8 | 0.51—20 Max | 1.65 |

◆ Contacts positions

Vue from cabling side



◆ Panel cut



◆ Tools

| Type | Part number |
|---|-----------------|
| Ergot key | DIN.18 10 B |
| Male and female contact removal tool | JBX OUT DC 09 |
| Female contact positioner | JBX 2 OUT LS 09 |
| Male contact positioner | JBX 3 OUT LP 09 |
| Contact tool frame diam. de 0.7 à 0.9 et 1.3 mm | M22520/7-01 |
| Plug clamp | SXOL6160B7 |
| Receptacle clamp | SXOL6180B7 |
| Tightening key for the receptacle nut | B703 |



DIN.18 10 B



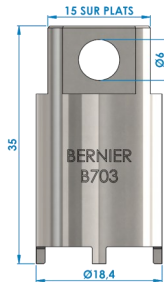
M22520/7-01



JBX 2 OUT LS 09



JBX 3 OUT LP 09



B703



SXOL6160B7



SXOL6180B7

360L6

◆ Tightening key

| Torque for the receptacle nut | Torque for the backshell mounting |
|-------------------------------|-----------------------------------|
| 9 N.m | 6 N.m |

◆ Weights

| Part number | Weight (grams) Max |
|-------------|--------------------|
| AUE10E360L6 | 19gr |
| AUF10E360L6 | 47gr |
| AUP10E360L6 | 34gr |

CMA Serie
Push-Pull / Quick-Releaseable Connector

... For an optimum data transfer in harsh environments !

Catalogue
Bernier
Révisé 23-JUNE 2016
www.bernier.tm.fr

CMASD Serie
Push-Pull Connector

... Toughness and reliable high speed data transfer in small dimensions !

Catalogue
Bernier
Révisé 10-JUNE 2016
www.bernier.tm.fr

CMALD Serie
Push-Pull and Quick-Releaseable Connector

... Toughness and Ergonomics allied with a high contact density configuration !

Catalogue
Bernier
Révisé 10-JUNE 2016
www.bernier.tm.fr

MMC Serie
Compact Quick-Releaseable Connector

... for a robust and ergonomic high-speed data connexion !

Catalogue
Bernier
Révisé 10-JUNE 2016
www.bernier.tm.fr

PAM Serie
Bayonet Connector

... the good connexion for your tactical equipments !

Catalogue
Bernier
Révisé 23-JUNE 2016
www.bernier.tm.fr

55116 Serie
Bayonet Connector

... The Crypto and Audio communication standard !

Catalogue
Bernier
Révisé 23-JUNE 2016
www.bernier.tm.fr

221 Serie
Quick-Releaseable Connector

... Easy use and communication reliability in operation !

Catalogue
Bernier
Révisé 23-JUNE 2016
www.bernier.tm.fr

POW Serie
Power Connector

Catalogue
Bernier
Révisé 10-JUNE 2016
www.bernier.tm.fr

360L6 Serie
Avionic Connector

... the best connection for On Board communications !

Catalogue
Bernier
Révisé 23-JUNE 2016
www.bernier.tm.fr

B600 Serie
Quick-Releaseable Connector

... Secure connection for light vehicles !

Catalogue
Bernier
Révisé 23-JUNE 2016
www.bernier.tm.fr

JCC Serie
Jack Connector

... For a basic but secured connection on communication equipments !

Catalogue
Bernier
Révisé 23-JUNE 2016
www.bernier.tm.fr

U Serie
Audio Connector

... The Toughest solution for audio applications !

Catalogue
Bernier
Révisé 23-JUNE 2016
www.bernier.tm.fr

CCF700 Serie
Coaxial connector

... the suitable connector for cockpit equipments !

Catalogue
Bernier
Révisé 23-JUNE 2016
www.bernier.tm.fr

MH Serie
Hexagonal Connector

... suitable for command signals !

Catalogue
Bernier
Révisé 23-JUNE 2016
www.bernier.tm.fr

BERNIER Services
Solutions + Operations + Products

... Innovation and Technologies knowledge for your project solution !

Catalogue
Bernier
Révisé 10-JUNE 2016
www.bernier.tm.fr

Relays
H + PC16 + MTD

... The right solution for the command of Electrical Power systems !

Catalogue
Bernier
Révisé 23-JUNE 2016
www.bernier.tm.fr

360L6

Find more on

www.bernier.tm.fr

This catalogue and its content are BERNIER property, all rights reserved
All information contained in this catalogue can be changed without prior notice
Dimensions in mm